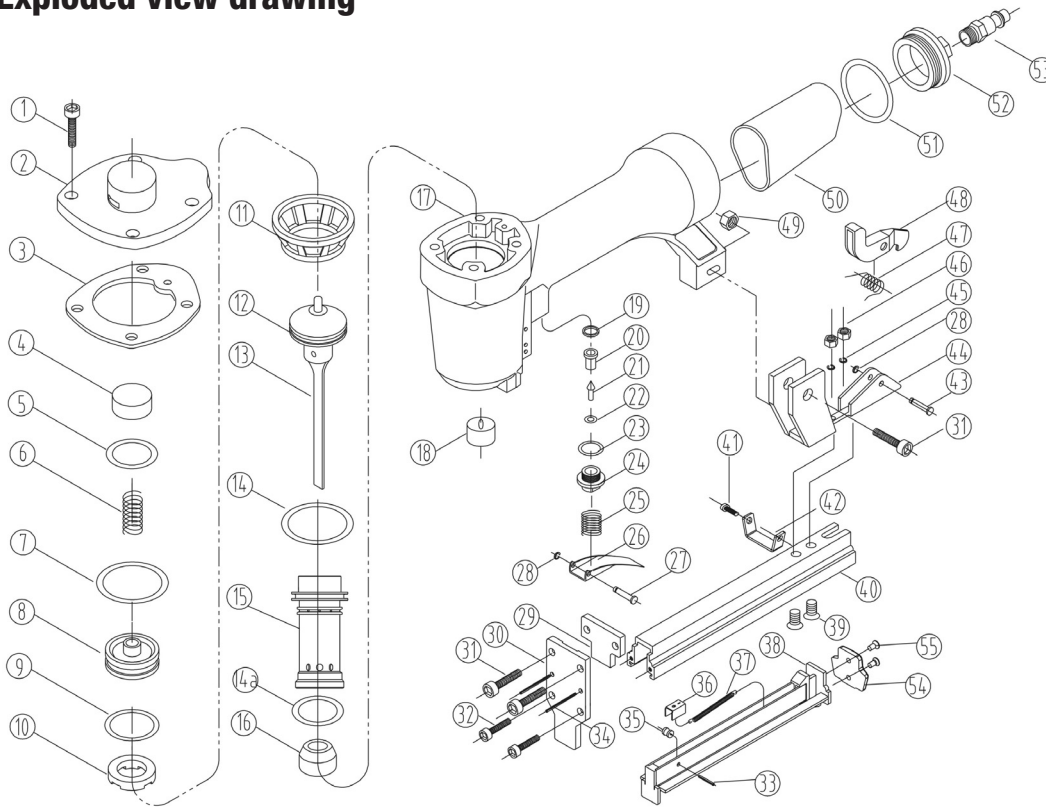


A14014V GENERAL PURPOSE 140 STAPLER

For replacement parts contact your usual Tacwise supplier.

Exploded view drawing



Item	Description	Item	Description
1	Screw	38	Movable Magazine
2	Cylinder Cap	39	Screw
3	Gasket	40	Fixed Magazine
4	Seal	41	Screw
5	O-Ring 15.7 x 2	42	Stop Piece
6	Spring	43	Screw
7	O-Ring 31.3 x 2.3	44	Support
8	Valve	45	Spring Washer
9	O-Ring 26.8 x 2.8	46	Nut
10	Stopped Washer	47	Torsion Spring
11	Collar	48	Lock
12	O-Ring 23.3 x 3	49	Nut
13	Piston Assembly	50	Soft Grip Sleeve
14	O-Ring 35.3 x 2.5	51	O-Ring 40.2 x 2.3
14a	O-Ring 28 x 2	52	End Cap
15	Cylinder	53	Air Plug
16	Bumper	54	Protective Pad
17	Body	55	Philips Counter Sunk Screw
18	Joint Guide		
19	Seal		
20	Trigger Valve Head		
21	Trigger Valve Stem		
22	O-Ring 6.5 x 1.4		
23	O-Ring 15 x 1.9		
24	Trigger Valve Guide		
25	Spring		
26	Trigger		
27	Pin		
28	Locking Washer		
29	Plate		
30	Front Plate		
31	Screw		
32	Screw		
33	Pin		
34	Pin		
35	Wheel		
36	Feeder Shoe		
37	Tension Spring		